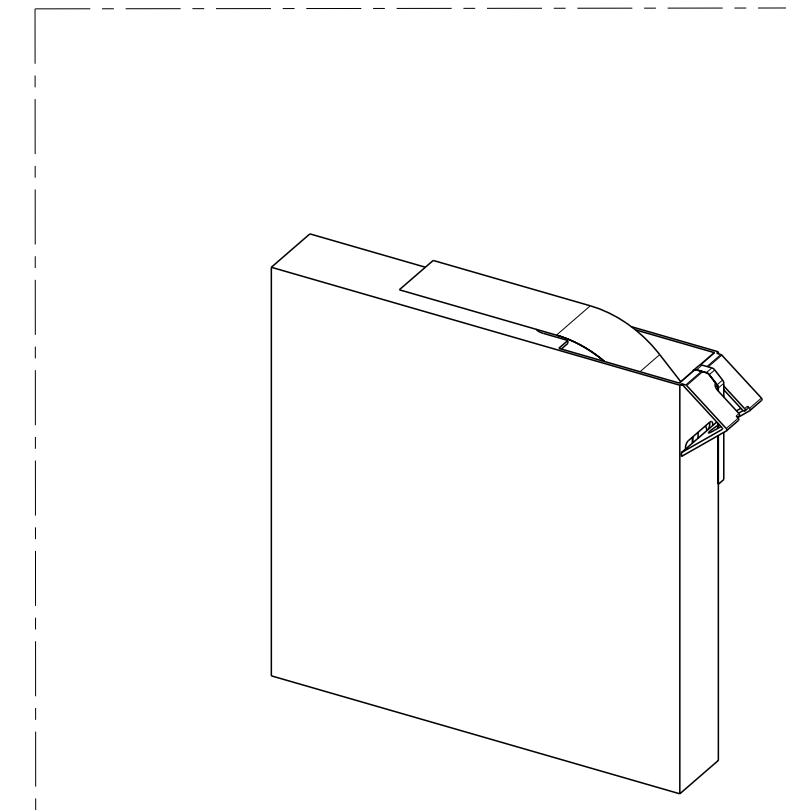
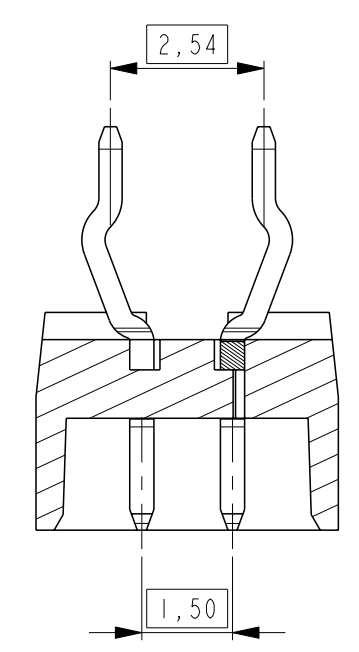
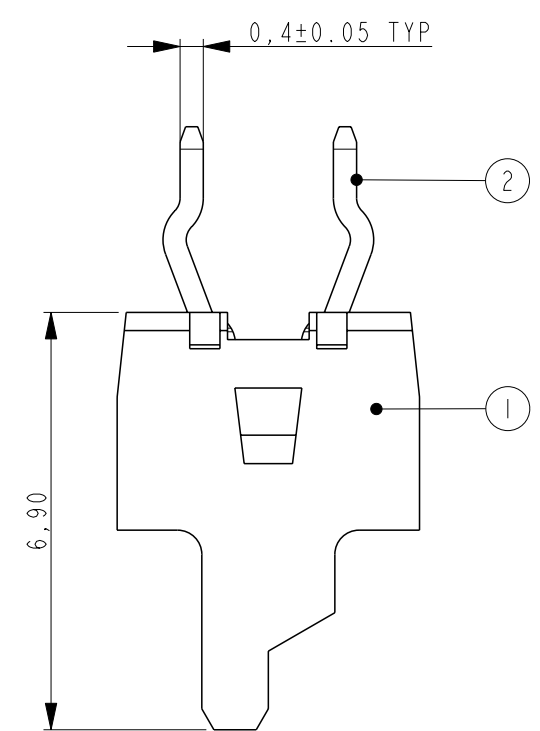
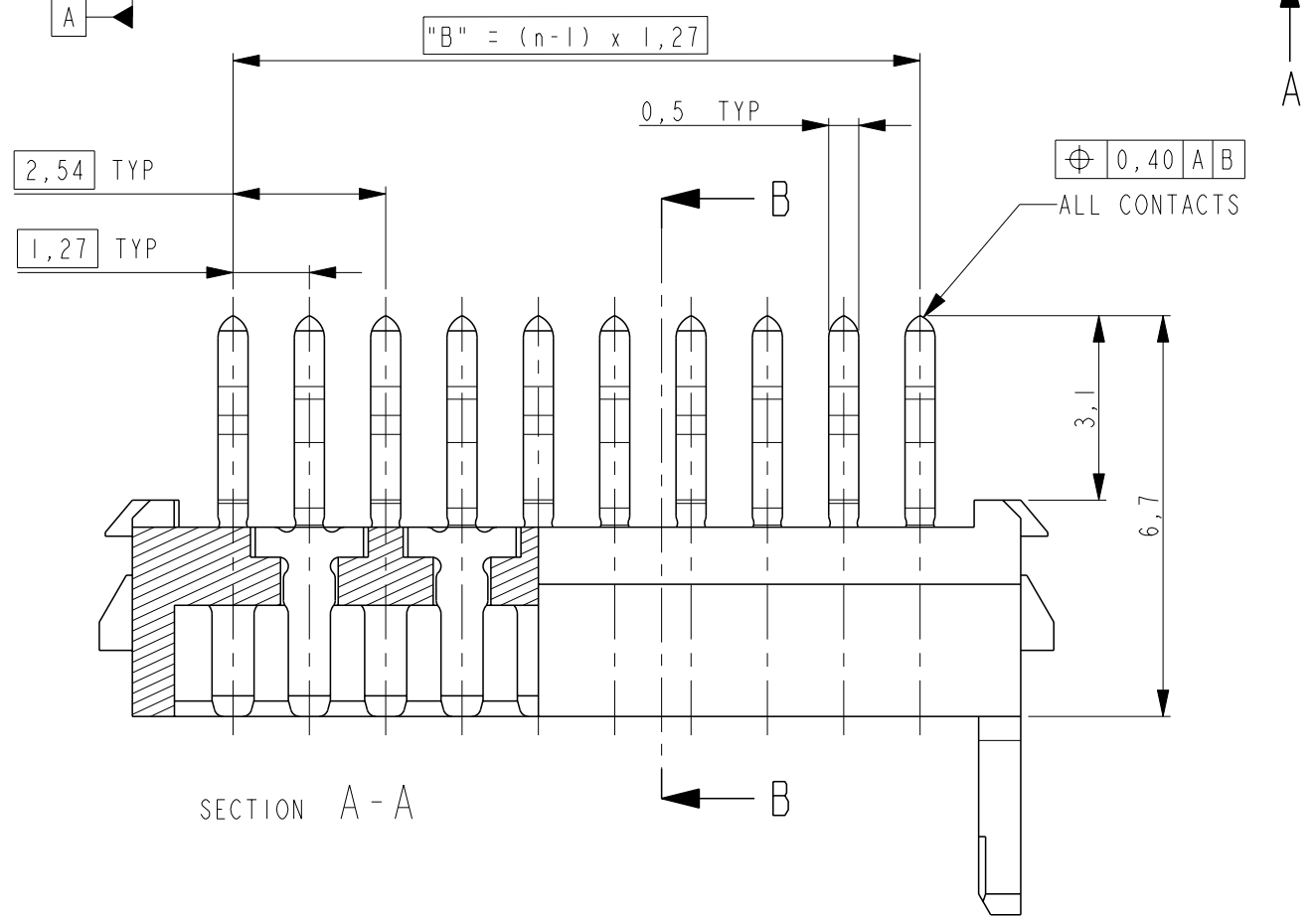
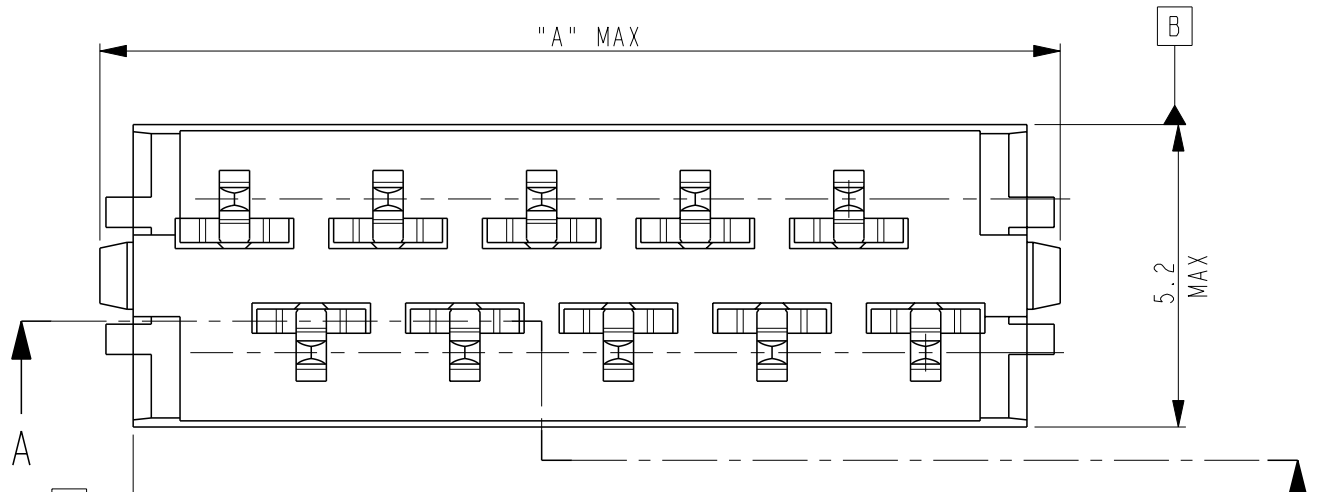


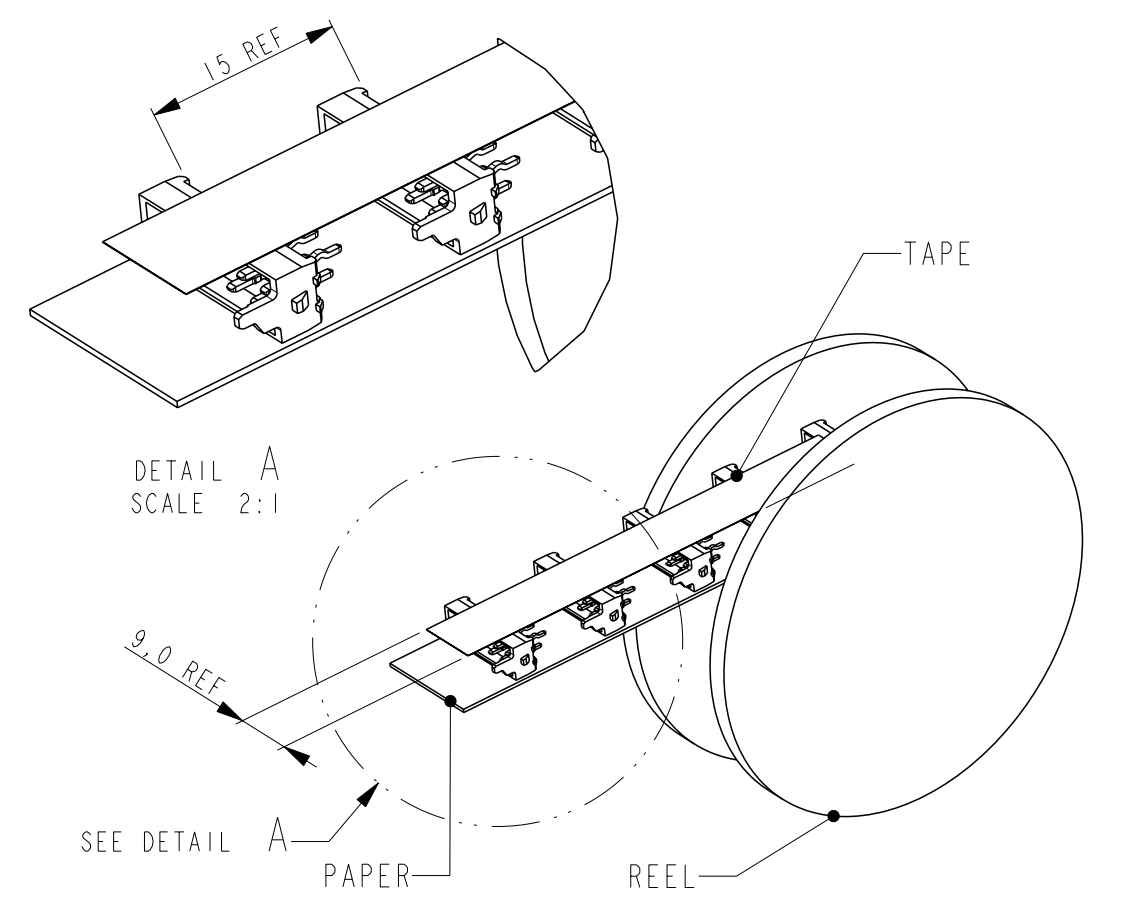
THIS DRAWING IS UNPUBLISHED. RELEASED FOR PUBLICATION
 © COPYRIGHT - ALL RIGHTS RESERVED.

REVISIONS					
P	LTR	DESCRIPTION	DATE	DWN	APVD
P		Adhesive tape width changed from 6 mm to 9 mm	11NOV2014	NV	PS

PART NUMBER REEL PACKAGING	PART NUMBER BOX PACKAGING	NUMBER OF POSITIONS	"A" MAX	"B"
0-215464-4	7-215464-4	4	8.3	3.81
0-215464-6	7-215464-6	6	10.9	6.35
0-215464-8	7-215464-8	8	13.4	8.89
1-215464-0	8-215464-0	10	15.9	11.43
1-215464-2	8-215464-2	12	18.5	13.97
1-215464-4	8-215464-4	14	21.0	16.51
1-215464-6	8-215464-6	16	24.0	19.05
1-215464-8	8-215464-8	18	26.1	21.59
2-215464-0	9-215464-0	20	28.6	24.13



SCALE 3:10
 BOX PACKAGING
 250 PARTNUMBERS PER BOX
 FOR ALL PARTNUMBERS.



REEL PACKAGING
 DEREELING DIRECTION AND CONNECTOR POSITION
 2500 CONNECTORS PER REEL FOR ALL PART NUMBERS

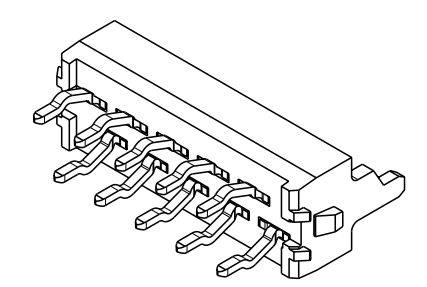
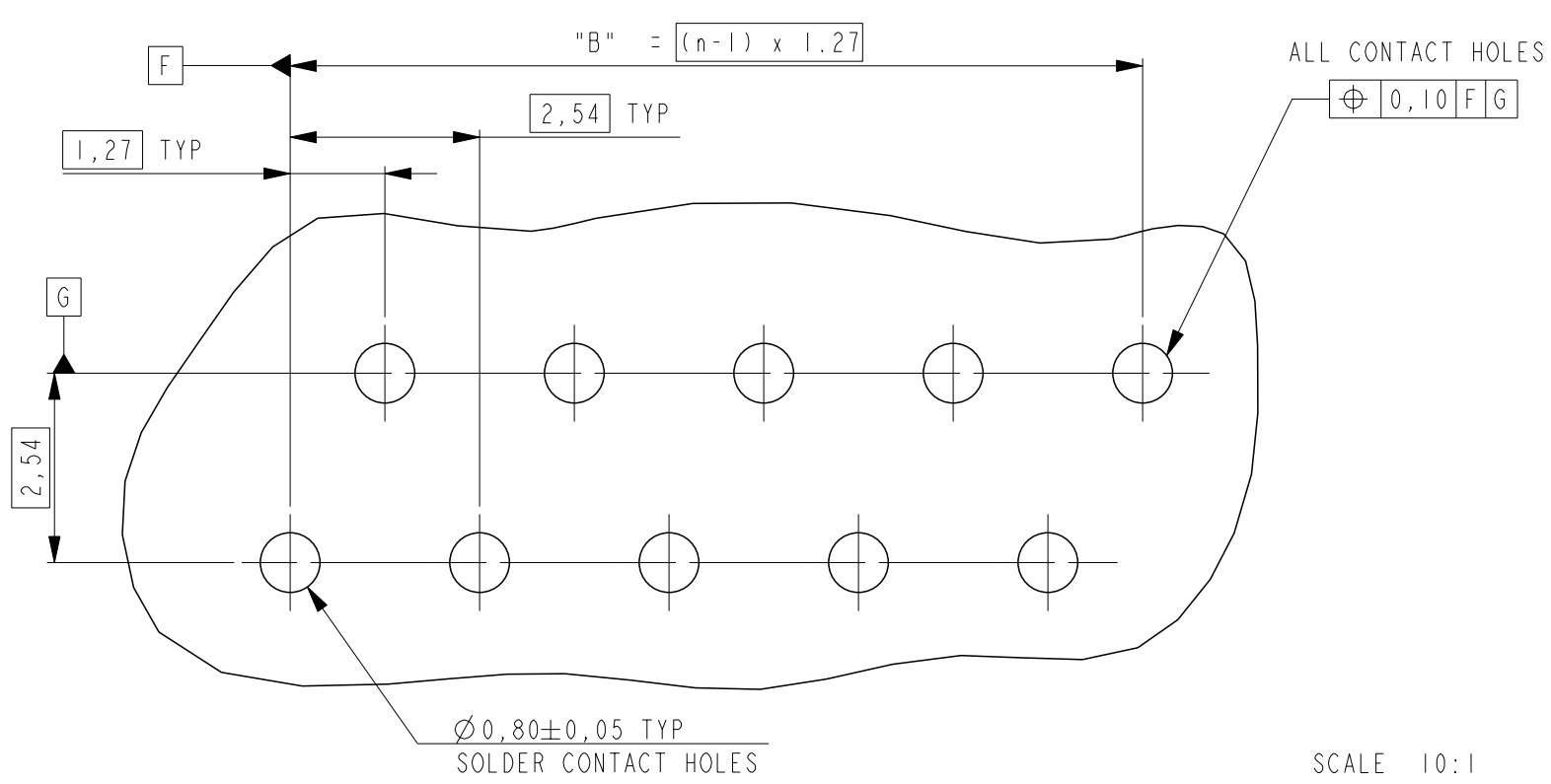
2	MALE CONTACT	TIN BRASS	3-5 µm Sn over 0.5 µm min Ni
1	HOUSING	G.F POLYESTER, PBT	RED
ITEM NO.	DESCRIPTION	MATERIAL	FINISH / COLOR
DWN	15-04-1992	J. VAN DREUMEL	
CHK		H. KOKKEN	
APVD			
PRODUCT SPEC	108-19052	NAME Micro-MaTch MALE-ON-BOARD LONG POST, POLARIZED	
APPLICATION SPEC		SIZE	CAGE CODE
WEIGHT		A2	00779
Customer Drawing		DRAWING NO	C-215464
SCALE 8:1		SHEET	OF
		REV	P

SECTION A-A

SECTION B-B

REFERENCE MATING INTERFACE PATTERN:
 1.27 STAGGERED PITCH x 1.5 ROW DISTANCE

PC-BOARD HOLE LAYOUT
 (COMPONENT SIDE OF BOARD SHOWN)



SCALE 3:1

SHOWN IS A 10 POSITION
 CONNECTOR (1-215464-0).

THIS DRAWING IS A CONTROLLED DOCUMENT.	
DIMENSIONS:	TOLERANCES UNLESS OTHERWISE SPECIFIED:
mm	0 PLC ±
	1 PLC ±0.1
	2 PLC ±0.20
	3 PLC ±
	4 PLC ±
	ANGLES ±
MATERIAL	FINISH
SEE TABLE	SEE TABLE